

## G587B Brass Ring Pull

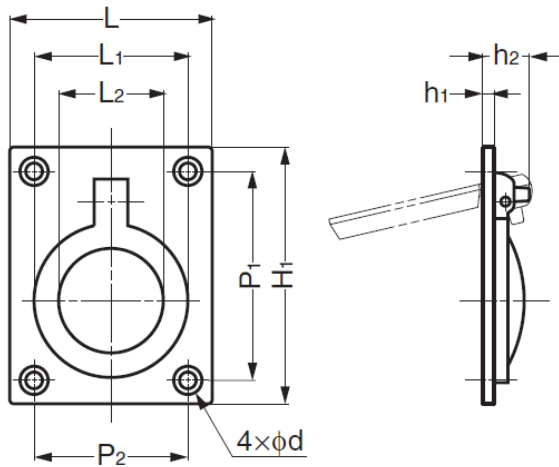
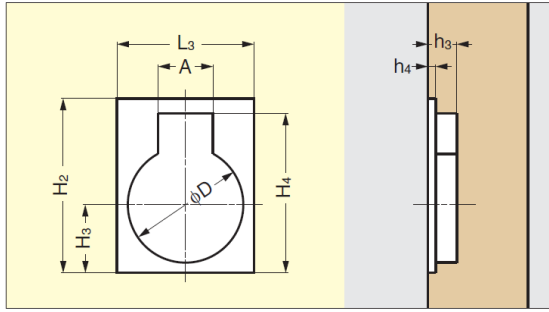
### Material

- Brass, satin nickel or satin finish

### Parts Included

- Slotted countersunk head wood screw 3.1x20

### Cut Out Dimensions



Part No.	Finish	L	L <sub>1</sub>	L <sub>2</sub>	H <sub>1</sub>	P <sub>1</sub>	P <sub>2</sub>	P <sub>3</sub>	d	h <sub>1</sub>	h <sub>2</sub>	L <sub>3</sub>	H <sub>2</sub>	H <sub>3</sub>	H <sub>4</sub>	H <sub>5</sub>	A	D	h <sub>3</sub>	h <sub>4</sub>	
G587B-40WB	Satin Nickel	30.5	24	16.5	40.3	32	22	11.9	3.5	2	11	30.5	40.3	16	39	32	18	28	13	2	
G587B-40SB	Satin																				
G587B-50WB	Satin Nickel	38	30.5	21	51	41	28	15.5	4	2.5	12.7	38	51	21	48.5	41	21	35	15	2.5	
G587B-50SB	Satin																				
G587B-60WB	Satin Nickel	47.5	36	24.5	60	49	36	18			13	47.5	60	23.5	55	49	21	41.5	14		
G587B-60SB	Satin																				